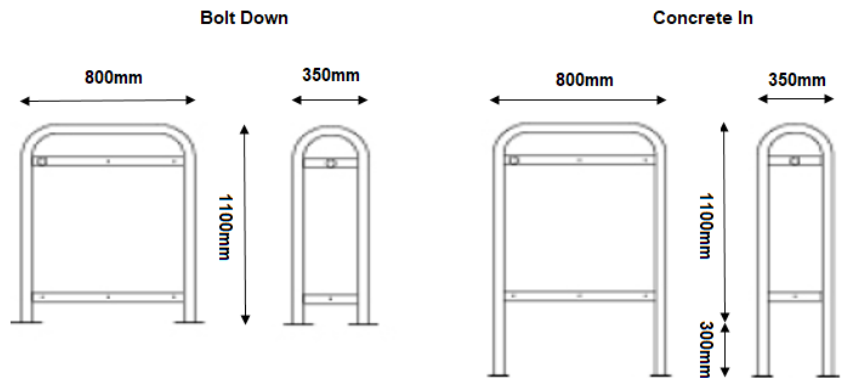




# Door Guard Galvanised



AUTOPA Door Guards are designed to protect walls from being damaged by swinging doors. An integrated rubber stopper acts as a shock absorber, preventing the door from hitting the steel frame. Ideal for commercial and industrial sites, they are suitable for internal and external use and can be installed either individually or in pairs.

Extremely durable, AUTOPA's Door Stops are manufactured from galvanised mild steel and available with flange plates for bolting down or extended legs for casting into concrete. Colour coated finishes are also available (please state BS/RAL number at time of order). To maximise visibility, infill plates can be added to the Door Stop (solid steel plate as standard, other materials are available upon request).

The rubber stopper can be positioned in one of six places.



<u>Part Number</u>	<u>Description</u>	<u>Weight (kg)</u>
138 206 005	Door Guard - Concrete In	15kg
138 206 001	Door Guard - Bolt Down	14kg
138 206 015	Door Guard with Steel Infil Panel - Concrete In	29kg
138 206 011	Door Guard with Steel Infil Panel - Bolt Down	28kg
138 206 025	Door Guard with Perforated Steel Infil Panel - Concrete In	27kg
138 206 021	Door Guard with Perforated Steel Infil Panel - Bolt Down	25kg

## Product details

- 3mm wall thickness
- 1100mm x 800mm (height x width)
- Concrete in 300mm (below ground)
- Round flange plate – 133mm x 5mm
- 6 bolts required per door guard (bolt down)
- 50mm x 5mm tapping rail

## Installation & use

Bolt down to a suitable concrete surface.  
Telescopic, removable and concrete in are supplied with welded fixing spikes to ensure firm ground anchorage into concrete.  
Telescopic, removable and concrete in require a suitable excavated hole for installing into concrete.  
Products are guaranteed for 12 months (if installed and used correctly).



**HEYN** ENVIRONMENTAL  
1 Corry Place, Belfast, BT3 9AH  
HEYN.co.uk | +44 2890 350020

